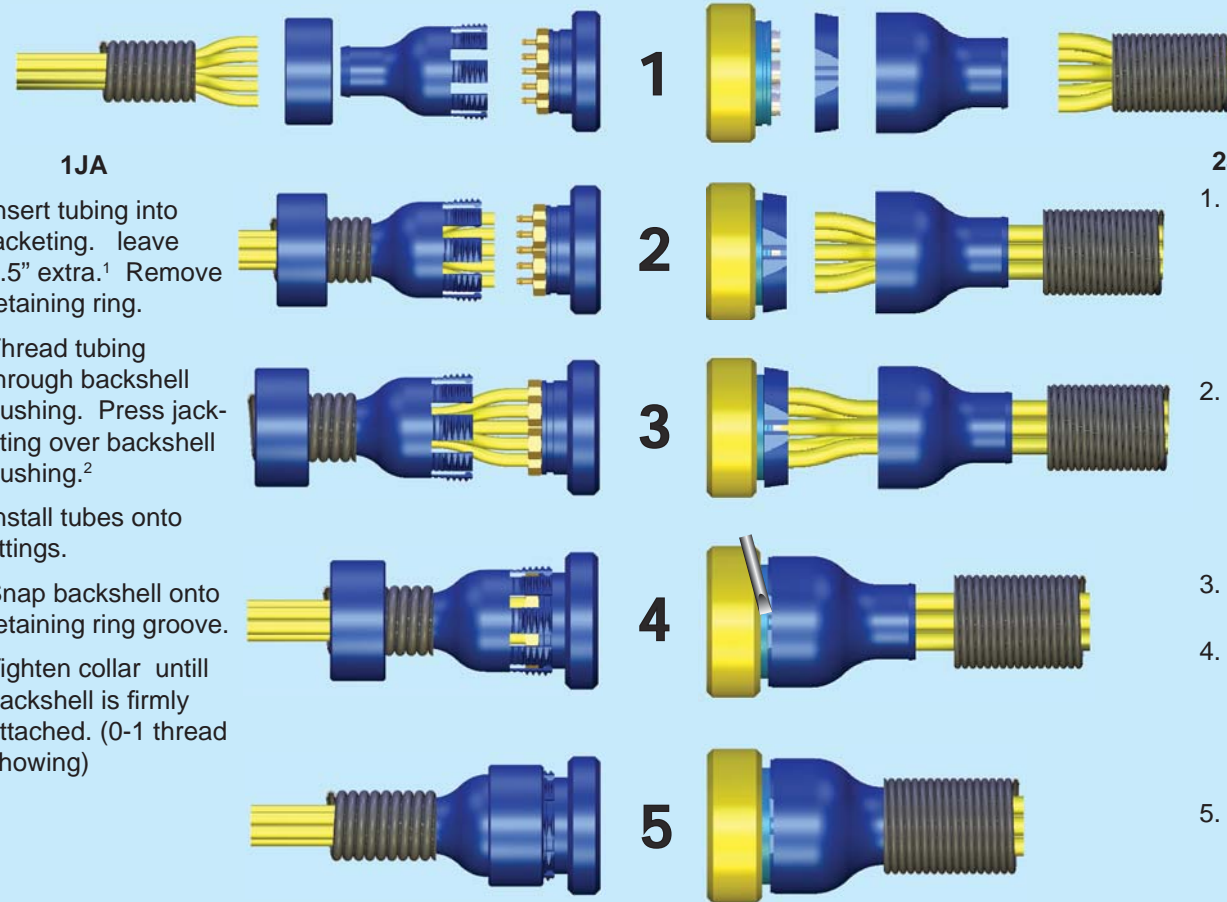




# MULTIPLE TUBE CONNECTORS



### 1JA

1. Insert tubing into jacketing. leave 1.5" extra.<sup>1</sup> Remove retaining ring.
2. Thread tubing through backshell bushing. Press jacketing over backshell bushing.<sup>2</sup>
3. Install tubes onto fittings.
4. Snap backshell onto retaining ring groove.
5. Tighten collar until backshell is firmly attached. (0-1 thread showing)

### 2JA, 2.5JA & 3JA

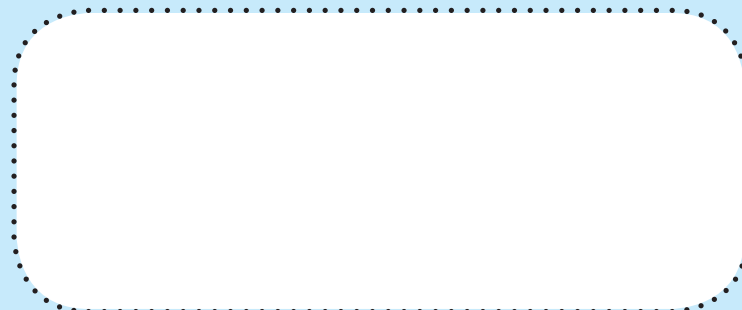
1. Insert tubing into jacketing. Have at least 1.5" extra from the end.<sup>1</sup> Remove retaining ring.
2. Thread tubing through backshell bushing. Snap threaded ring onto retaining ring groove.
3. Install tubes onto fittings.
4. Screw backshell onto threaded ring. Use screwdriver on notch above slit to hold ring.
5. Push jacketing over bushing.<sup>2</sup>

1. Additional tubing length will aid in flexibility and prevent tube pull out. Larger tube bundles will require more than smaller bundles. Each application will have different requirements. Always begin with more and shorten as necessary.
2. Rigid vacuum hose may not require securing. Flexible hose may require a hose clamp. Spiral or braided wrap can be secured with wire ties.



Manufactured by:  
 Twintec, Inc.  
 1510 Boundary Blvd.,  
 Suite 100  
 Auburn, WA 98001  
 253-218-0890 ph.  
 253-218-0892 fx.  
 800-979-9645 Toll free  
 www.twintecinc.com  
 info@twintecinc.com

Distributed by:



### Time.

Fast operation for quick change-overs.

### Simple.

All tubes are contained in one bundle and connected in one operation.

### Enhance.

Regular maintenance and repair; tooling and equipment sections can be swapped out quickly and worked on away from the production environment

### Rugged.

Solid aluminum construction suitable for many industrial applications while maintaining cabinet integrity.

### Build.

Controls and tooling can be manufactured separately at the best supplier then brought together.

### Versatile.

Wide variety of options and capabilities to fit your particular needs.



Quick and easy selection chart

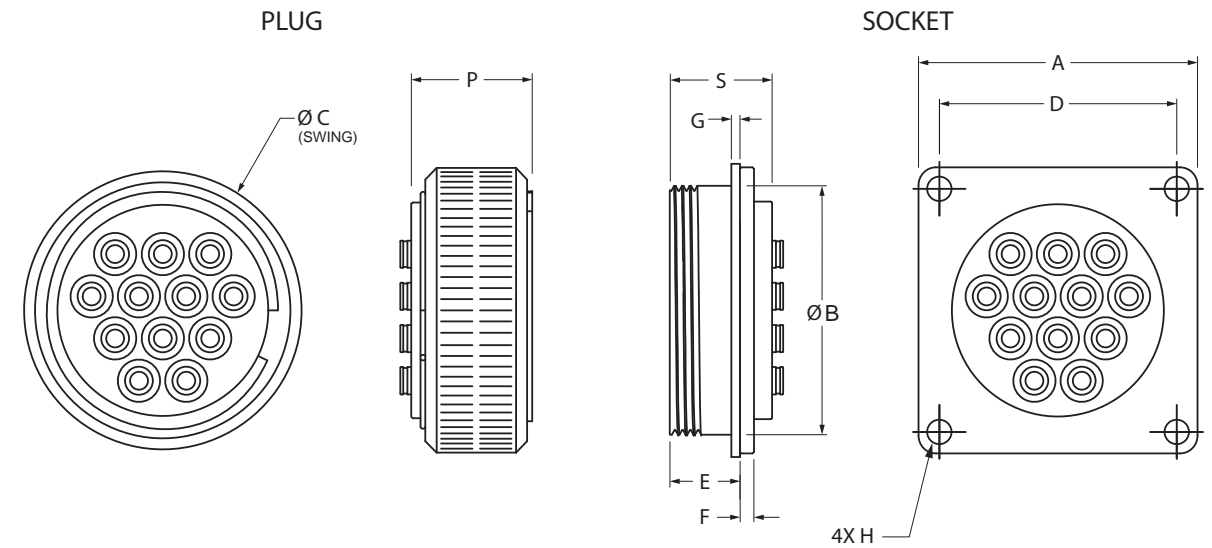
1. Choose tube OD or Port Thread    2. Select # of tubes    3. Choose component    Accessories

| Tube OD     | # Tubes | Assembly    | Plug (Male)  | Socket (Female) | Plug cover | Socket cover | ★     |
|-------------|---------|-------------|--------------|-----------------|------------|--------------|-------|
| 1/8"        | 4       | 1.2BC-4-12  | 1.2BC-4P-12  | 1.2BC-4S-12     | 1.2-DCP    | 1.2-DCS      | 1.2JA |
|             | 10      | 2BC-10      | 2BC-10P      | 2BC-10S         | 2-DCP      | 2-DCS        | 2JA   |
|             | 12      | 2BC-12      | 2BC-12P      | 2BC-12S         | 2-DCP      | 2-DCS        | 2JA   |
|             | 19      | 2.5BC-19    | 2.5BC-19P    | 2.5BC-19S       | 2.5-DCP    | 2.5-DCS      | 2.5JA |
| 5/32" (4mm) | 4       | 1.2BC-4-16  | 1.2BC-4P-16  | 1.2BC-4S-16     | 1.2-DCP    | 1.2-DCS      | 1.2JA |
|             | 10      | 2BC-10-16   | 2BC-10P-16   | 2BC-10S-16      | 2-DCP      | 2-DCS        | 2JA   |
|             | 12      | 2BC-12-16   | 2BC-12P-16   | 2BC-12S-16      | 2-DCP      | 2-DCS        | 2JA   |
|             | 24      | 3BC-24-16   | 3BC-24P-16   | 3BC-24S-16      | 3-DCP      | 3-DCS        | 2.5JA |
|             | 19      | 2.5BC-19-16 | 2.5BC-19P-16 | 2.5BC-19S-16    | 2.5-DCP    | 2.5-DCS      | 3JA   |
| 1/4"        | 6       | 2BC-6       | 2BC-6P       | 2BC-6S          | 2DCP       | 2-DCS        | 2JA   |
|             | 8       | 2BC-8       | 2BC-8P       | 2BC-8S          | 2DCP       | 2-DCS        | 2JA   |
|             | 12      | 2.5BC-12    | 2.5BC-12P    | 2.5BC-12S       | 2.5-DCP    | 2.5-DCS      | 2.5JA |
|             | 19      | 3BC-19      | 3BC-19P      | 3BC-19S         | 3-DCP      | 3-DCS        | 3JA   |
| 3/8"        | 6       | 2.5BC-6     | 2.5BC-6P     | 2.5BC-6S        | 2.5-DCP    | 2.5-DCS      | 2.5JA |
|             | 12      | 3BC-12      | 3BC-12P      | 3BC-12S         | 3-DCP      | 3-DCS        | 3JA   |

| Tube OD  | # Tubes | Assembly | Plug (Male) | Socket (Female) | Plug cover | Socket cover | ★         |
|----------|---------|----------|-------------|-----------------|------------|--------------|-----------|
| 10-32    | 4       | 1BH-7    | 1BH-7P      | 1BH-7S          | 1-DCP      | 1-DCS        | 1JA .40   |
|          | 7       | 1BH-7    | 1BH-7P      | 1BH-7S          | 1-DCP      | 1-DCS        | 1JA .30   |
|          | 8       | 2BH-8    | 2BH-8P      | 2BH-8S          | 2-DCP      | 2-DCS        | 2JA .41   |
|          | 12      | 2BH-12   | 2BH-12P     | 2BH-12S         | 2-DCP      | 2-DCS        | 2JA .40   |
|          | 16      | 2BH-16   | 2BH-16P     | 2BH-16S         | 2-DCP      | 2-DCS        | 2JA .32   |
|          | 19      | 2BH-19   | 2BH-19P     | 2BH-19S         | 2-DCP      | 2-DCS        | 2JA .30   |
|          | 19      | 2.5BH-19 | 2.5BH-19P   | 2.5BH-19S       | 2.5-DCP    | 2.5-DCS      | 2.5JA .56 |
| 1/8" NPT | 4       | 2BH-4-12 | 2BH-4P-12   | 2BH-4S-12       | 2-DCP      | 2-DCS        | 2JA .56   |
|          | 6       | 2.5BH-6  | 2.5BH-6P    | 2.5BH-6S        | 2.5-DCP    | 2.5-DCS      | 2.5JA .72 |
|          | 9       | 2.5BH-9  | 2.5BH-9P    | 2.5BH-9S        | 2.5-DCP    | 2.5-DCS      | 2.5JA .56 |
|          | 12      | 3BH-12   | 3BH-12P     | 3BH-12S         | 3-DCP      | 3-DCS        | 3JA .67   |
|          | 19      | 3BH-19   | 3BH-19P     | 3BH-19S         | 3-DCP      | 3-DCS        | 3JA .53   |
| 1/4" NPT | 5       | 2.5BH-5  | 2.5BH-5P    | 2.5BH-5S        | 2.5-DCP    | 2.5-DCS      | 2.5JA .79 |
|          | 7       | 3BH-7-25 | 3BH-7P-25   | 3BH-7-25        | 3-DCP      | 3-DCS        | 3JA .79   |
|          | 8       | 3BH-8    | 3BH-8P      | 3BH-8S          | 3-DCP      | 3-DCS        | 3JA .82   |
| 3/8" NPT | 7       | 3BH-7    | 3BH-7P      | 3BH-7S          | 3-DCP      | 3-DCS        | 3JA .79   |

Standard Specifications  
 Maximum PSI: 125  
 O-ring: Buna-N  
 Gasket: EPDM  
 Body: Aluminum  
 Fittings: NP Brass, Brass  
 Finish: Anodize

1-800-979-9645  
 www.twintecinc.com  
 info@twintecinc.com



| SERIES | DIMENSION |      |      |       |      |      |      |       |      |      |
|--------|-----------|------|------|-------|------|------|------|-------|------|------|
|        | A         | B    | C    | D     | E    | F    | G    | H     | P    | S    |
| 1BH    | 1.20      | 1.07 | 1.25 | 0.95  | 0.38 | 0.10 | 0.06 | 0.13  | 0.43 | 0.55 |
| 1.2BC  | 1.38      | 1.19 | 1.39 | 1.12  | 0.58 | 0.13 | 0.06 | 0.13  | 0.63 | 0.71 |
| 2BC    | 2.00      | 1.75 | 2.00 | 1.70  | 0.50 | 0.10 | 0.06 | 10-32 | 0.87 | 0.73 |
| 2BH    | 2.00      | 1.75 | 2.00 | 1.70  | 0.50 | 0.10 | 0.06 | 10-32 | 0.87 | 0.60 |
| 2.5    | 2.50      | 2.25 | 3.50 | 2.125 | 0.50 | 0.14 | 0.06 | 0.18  | 0.65 | 0.79 |
| 3      | 3.35      | 3.00 | 4.00 | 2.50  | 0.75 | 0.25 | 0.06 | 0.25  | 0.75 | 1.00 |

★ Jacket adaptor (back shell) selection.

Our jacket adaptor accessory provides the means to protect and contain your tubing bundle along with the fitting interface of the connector. Select the adaptor one size up from the minimum size for best results.

Pick the available part number from the images below. The first number (series size) should match the first number on the connector component. The bushing ID is .10" smaller than the tube ID. The dash number represents the ID of the jacket hose you will use; 05 = .50", 07 = .75", 10 = 1.00", 12 = 1.25", 15 = 1.50", 17 = 1.75", 20 = 2.00" and 1NPT = 1.0" NPTF.

The jacket adaptor works with spiral wrap, braided wrap, tubing, and vacuum hose. See the back page for assembly instructions.

